

PLASTIC BAGS INDUSTRY  
2256 Main Street suite 13  
Chula Vista, CA 91911  
TELEFONO (619) 661 7320  
FAX (619) 661 7322  
800 411 2247

WEB PAGE [WWW.PLASTICBAGSINDUSTRY.COM](http://WWW.PLASTICBAGSINDUSTRY.COM)  
CELULAR (619) 719 3765 [jorge.bags@hotmail.com](mailto:jorge.bags@hotmail.com)

## PACKING OF GRANULAR PRODUCTS I N A VOLUMETRIC MACHINE



see video : <https://youtu.be/CA42fgn4fTc>

<http://youtu.be/qtxiU0CmCsA>

<https://youtu.be/IZSOxk8Za1l>

[https://youtu.be/IU5iHIU1\\_gs](https://youtu.be/IU5iHIU1_gs)

<http://youtu.be/n7yPigUs2Q>

INDIVIDUAL VOLUMETRIC MACHINE SPECIFICATIONS

TECHNICAL DATA

PACKING BY VOLUMETRIC CUP

MACHINE CAN ACHIEVE FORMING , FILLING , SEALING AND DATE PRINTING ON THE POUCH

FROM 35 TO 35 BAGS PER MINUTE DEPENDING ON PRODUCT

BAG TYPE IS PILLOW TYPE

SCREEN IN ENGLISH AND SPANISH

SIZE 1010mm(length) x 810mm (width) x 1800mm (height)

weight 200 kg

THIS MACHINE CAN BE PLACE IN PARAREL WITH MORE SIMILAR MACHINES

Price	\$14,500.00
Date coder	\$ 850.00
Exiting conveyor	\$ 600.00
Freight	\$ 850.00
	_____
Total	\$16,800.00

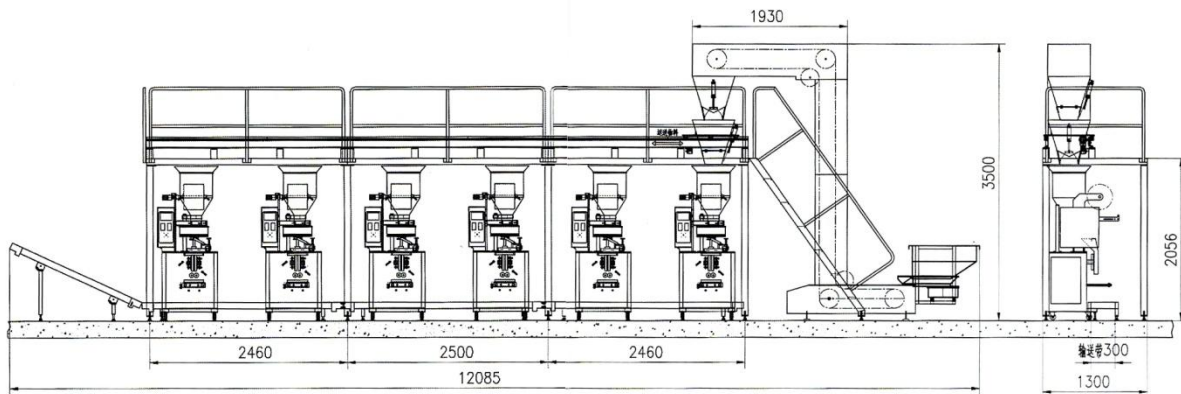
PRICE INCLUDES INSTALATION, TRAINING OF ONE OPERATOR AND 12 MONTH GUARANTEE

# TURN KEY SYSTEM

COMPLETE SYSTEM WITH LOADER

**COMPLETE SYSTEM WITH 4 MACHINES     \$65,000.00 PLUS FREIGHT**

**COMPLETE SYSTEM WITH 4 MACHINES     \$85,000.00 PLUS FREIGHT**



Ver video : <https://youtu.be/CA42fgn4fTc>

[https://youtu.be/IU5iHiU1\\_gs](https://youtu.be/IU5iHiU1_gs)

